

IP20 Label Printing Scale



Affordable High Quality Barcode Scales for Supermarkets, & Retail stores



Features

* HD Color Display

4.3" color operator display and 7" color advertising customer display. Customer display could show advertising pictures.

* Multi Language Support

Support major languages for Display and Printing, English, French, Spanish, Arabic, Russian, Portuguese, German, Italian, Dutch, Korean, Greek, Swedish, Japanese, Thai, Hebrew and Chinese.

* Easy to use, Large Capacity

Up to 9999 products can store and 80 direct PLU's can 80, product names can search easily by using the PLU numbers or barcode scanner.

* Back Office Software

Back-office software can easily connect to the scales and use for PLU updates, customizing print formats, preset keys configuration, uploading promotion pictures and generating reports.



360° rotatable pole display

First time launching 360° rotatable customer display for the better customer view.



Compact Design

Compact design with good readability, tackle keyboard can use for quick key functions.



Flat Customer Display

Bench type scale with rear 4.3" color display with the pixel 480*272 can meets different environmental & application needs.



Cassette System

Label printer comes with cassette system for quick paper change and high-speed printing.

IP20 Label Printing Scale

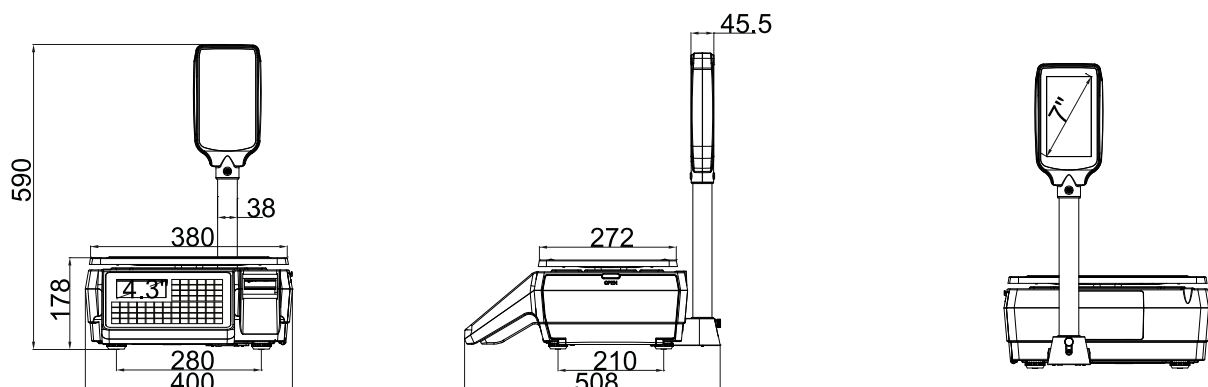


Technical Data



Item	Specification				
Model	IP20-6kg	IP20-15kg		IP20-30kg	
Capacity	6kg	15kg	6kg / 15kg	30kg	15kg / 30kg
Readability	2g	5g	2g / 5g	10g	5g / 10g
Divisions	3000e		2x3000e	3000e	2x3000e
Housing	ABS Housing with #304 Stainless Steel Pan & Pole				
Dimensions	IP20a: 400x508x177.3mm				
	IP20b: 400x508x589.3mm				
Pan Size	385x277mm				
Operator Display	4.3-inche, resolution: 480 x 272				
Customer Display	IP20a: 4.3-inche, resolution: 480 x 272				
	IP20b: 7-inche, resolution: 1024 x 600				
No of keys	68 Tackle type membrane keys (16 functional keys, 12 Numeric Keys, 40*2 direct PLU keys				
LAN	Support 10M/100M				
Cash box	Support 12V				
Interface	USBx1, RJ45x1, RJ11x1, RS232x1 ; Optional WIFI (2.4G)				
Printer	Printing Speed: Max:125mm/s				
	Paper Length: Min:20mm/Max:110mm, Paper Width: Max:60±0.5mm				
	Max Print Width: Max:56mm, Print Resolution: 203dpi				
	Printer Head Life: 50km				
	Label Types: Liner Label, Liner Less Label, Receipt				
Power	AC: 100V~240V				
Packaging	Carton Size: 640x510x280mm, Average Gross Wt: 8.5KG				
Temperature	Working Temperature: -10℃~40℃ ; Storage: -20℃~60℃				
Humidity	5%~85% R.H.				
Certification	CPA、OIML、NTEP、CE-EMC				

Dimension(mm)



* Specification to change without notice