

Ball Type Platter

PD-II SERIES

ECR Interface Scale

PD-II is a heavy-duty weight only scale with interfacing capabilities which allows it to be connected to PC POS Systems and Cash Registers.

- Adjustable & Easy-to-Read VFD Display
- Large Stainless Steel Weighing Tray
- Communication Ports: RS-232, Bit Parallel (ECR Interface)
- Low Profile
- Optional Pole Display or Dual Display (side)



Pole Display ▶



◀ Dual Display (Option)



PD-II SERIES | ECR Interface Scale

SPECIFICATIONS

Model	PD-II Series				
Max Capacity (kg)	Single	6	15	30	60
Max Capacity (kg)	Dual	3/6	6/15	15/30	20/60
Readability (g)	Single	2	5	10	20
Readability (g)	Dual	1/2	2/5	5/10	10/20
External Resolution	1/3,000 (Single or Dual Interval)				
Display Digit	6 digits				
Display Type	VFD				
Operating Temp.	-10°C ~ 40°C				
Power Source	AC 110 ~ 220V, 50/60Hz				
Platter Size (mm)	380(W) x 280(D)				
Dimensions (mm)	380(W) x 280(D) x 79(H)				
Product Weight (kg)	6.7kg				

DISPLAY

One display comes standard and it is possible to install another display on the side of the scale. Also the remote pole display is available for the PD-II as an option. The main display can be tilted up and down, making it easier to read.

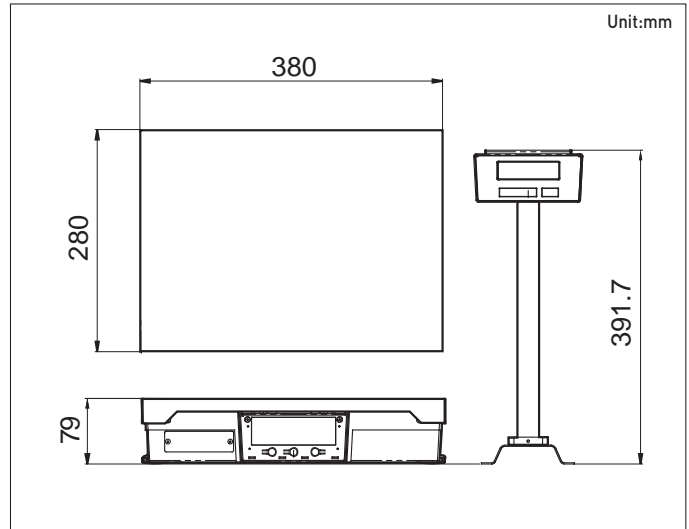
FEATURES

- Adjustable Display Head
- Easy-to-read VFD Display
- Communication Ports: RS-232C and ECR Interface
- Low Profile

OPTIONS

- Dual Display (Side)
- Remote Pole Display
- Interface Cables
- Ball Type Platter

DIMENSIONS



Standard Single Display ▲



Dual Display With Ball Type Platter ▲

CAS

CAS BLDG., # 440-1, SUNGNAE-DONG,
GANGDONG-GU, SEOUL, KOREA

TEL_ 82 2 2225 3500

FAX_ 82 2 475 4668

<http://www.globalcas.com>

Specifications are subject to change for improvement without prior notice.