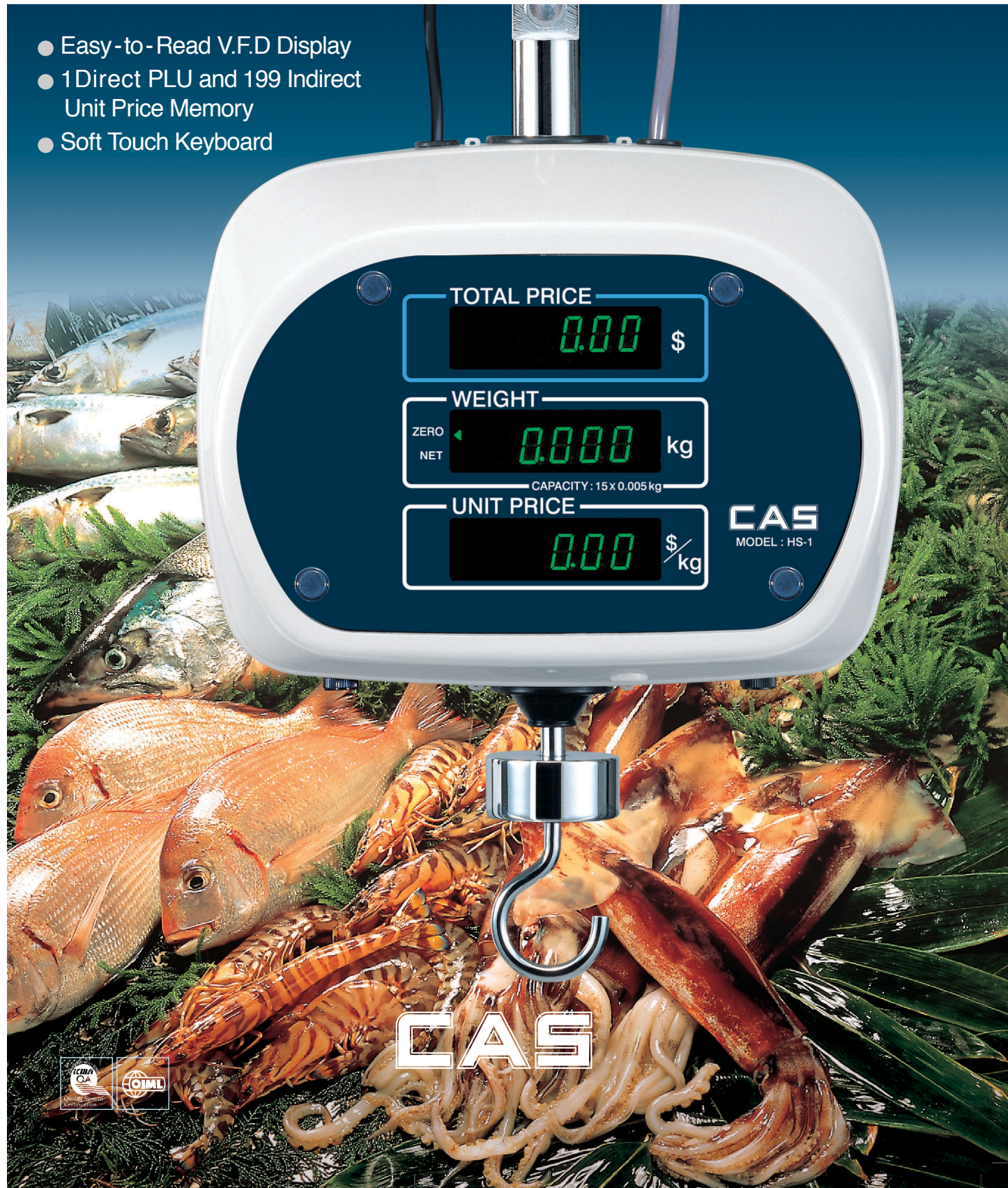


# HS-1

## Hanging Scale

- Easy-to-Read V.F.D Display
- 1 Direct PLU and 199 Indirect Unit Price Memory
- Soft Touch Keyboard





# HS-1 Hanging Scale

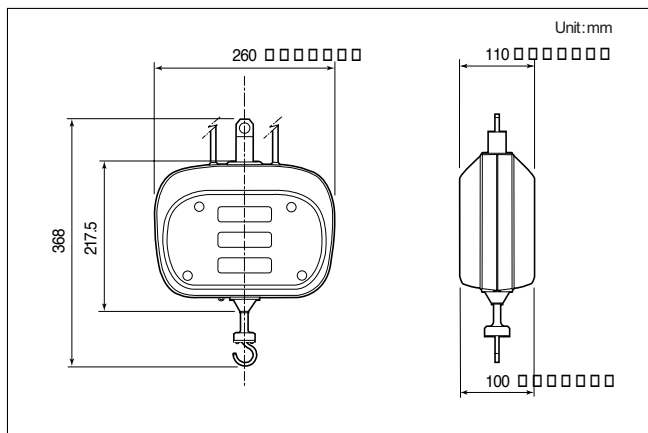
## FEATURES

- Easy-to-Read V.F.D Display
- Auto Span Adjustment
- Auto Zero Tracking
- Zero, Tare, On/Off, ADD, TTP CALL, M1, MR, MW and C Key Functions
- 1 Direct PLU and 199 Indirect Unit Price Memory
- Soft Touch Keyboard
- Deli, Cafeteria, Candy, Fish

## SPECIFICATIONS

Model	HS-6	HS-15	HS-30
Weighing Capacity	6 x 0.002kg	15 x 0.005kg	30 x 0.01kg
Maximum Tare	5.998kg	9.995kg	9.990kg
Display Digit	7/5/6, 6/5/6 (Total Price / Weight / Unit Price)		
Display Designators	Zero, Net		
Measurement Type	Load Cell		
Power Source	AC 110/120/220/240V, 50/60Hz		
Power Consumption	Approx. 10W		
Operating Temperature	-10°C ~ +40°C		
Dimensions (mm)	260 (W) x 110 (D) x 368 (H)		
Product Weight	3.6kg		

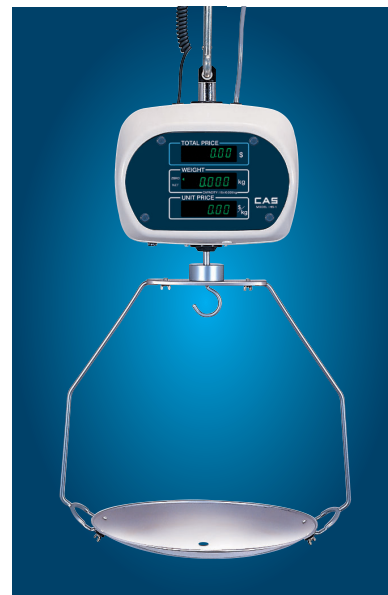
## DIMENSIONS



## DISPLAYS



## KEYBOARDS



## OPTION

- Additional Platter (Ø320 mm)



CAS BLDG., # 440-1, SUNGNAE-DONG,  
GANGDONG-GU, SEOUL, KOREA  
TEL : 82-2-475-4661 / 7  
FAX : 82-2-475-4668  
<http://www.cas.co.kr>

Specifications are subject to change for improvement without prior notice.