

CI-200 SERIES

General Purpose Weighing Indicator

- Versatile & Full Featured
- AC or DC Operated
- LCD or LED Displays



CI-200A



CI-200SC



CI-201A



CI-200S



CAS

www.cas-usa.com

CI-200 SERIES | Weighing Indicator

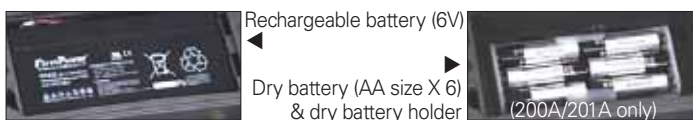
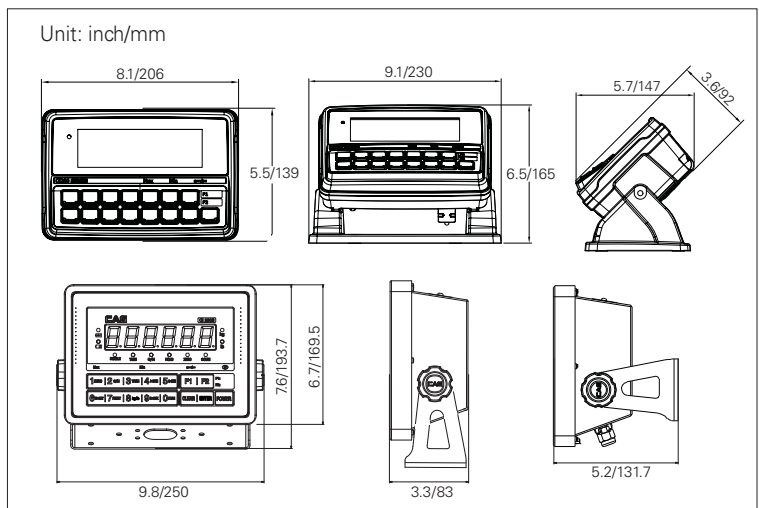
FEATURES

	CI-200A	CI-200A-DB	CI-201A	CI-201A-DB	CI-200S	CI-200SC
Power: AC	●	●	●	●	●	●
Power: DC - Rechargeable Battery	●		●		●	●
Power: DC - Dry Battery		●		●		
LCD Display w/Adjustable Backlight			●	●		
LED Display	●	●			●	●
Numeric Keypad	●	●	●	●	●	●
Hardened Plastic NEMA 12 Enclosure	●	●	●	●		
304 Stainless Steel IP67 Enclosure					●	●
Mode	Accumulation	●	●	●	●	●
	Counting			●	●	
	Percent			●	●	
RS-232C	2	2	2	2	1	1
Units	lb/kg	lb/kg	lb/kg	lb/kg	lb/kg	lb/kg
Indicator Wall/Desk Mount Kit Included	●	●	●	●	●	●
Password Protected	●	●	●	●	●	●
Hi/Lo Alarm			●	●		●
Over/Under/Accept Annunciators						●
ID Capabilities: 0 - 19 Numeric #	●	●	●	●	●	●
Multi-Point Calibration	●	●	●	●	●	●
Time/Date	●	●	●	●	●	●
Weight Back Up	●	●	●	●	●	●
Dual Range Capabilities	Non NTEP	Non NTEP	Non NTEP	Non NTEP	Non NTEP	Non NTEP
CAS "Quick Connect" Load Cell Cable Connector	●	●	●	●	●	●
Universal Load Cell Cable Connector					●	●

SPECIFICATIONS

Load Cell Input Voltage	DC 5V			
Load Cell Connection	8 @ 350 ohm / 16 @ 1000 ohm			
Zero Calibration	0~2 mV/V			
Input Sensitivity	2 μ V/D			
A/D Internal Resolution	1/520,000			
A/D External Resolution	NTEP: Up to 10,000 D - Non-Commercial: Up to 30,000 D			
A/D Conversion Speed	Maximum 80 times/sec			
Battery Life (Approximate)	CI-200A/200S/200SC		CI-201A	
	30 hrs (200A/200S) 26 hrs (200SC)		180 hrs - No backlight 33 hrs - w/backlight	
Charging Time	Approx 12 hours			
Keys	10 numeric keys, 2 function keys			
Display	CI-200A	CI-201A	CI-200S	CI-200SC
	6 Segment 1 Inch LED	6 Segment 1 Inch LCD	6 Segment 1 Inch LED	6 Segment 1 Inch LED
Display Designators	ZERO, TARE, GROSS, NET, STABLE, UNIT			
Power	200A/201A: 12VDC Adapter, 6V Rechargeable Pb Batt, or Optional - AA size Dry Battery x 6 200S/200SC: AC Power Cord, 6V Rechargeable Pb Batt			
Operating Temperature	-10°C ~ 40°C / 14°F ~ 104°F			
Interface	RS-232C			
Wall/Desk Mount	Included			
Approvals	NTEP COC# 11-026			

DIMENSIONS



OPTIONS

- CAS DLP-50 (lbs only)
- CAS DEP-50
- Epson TM-U295



CAS DLP-50
Label Printer



CAS DEP-50
Receipt Printer



Epson TM-U295
Receipt Printer

CAS

99 Murray Hill Parkway
East Rutherford, NJ 07073
TEL: (201) 933-9002
FAX: (201) 933-9025
<http://www.cas-usa.com>

Specifications are subject to change for improvement without prior notice.

