

PAD

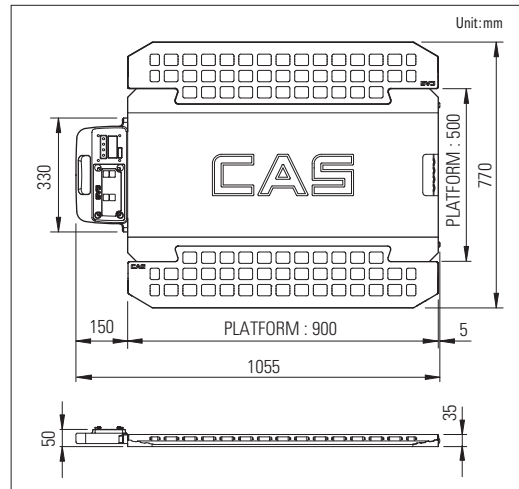
SPECIFICATIONS(BODY)

| Platform Size (mm) | 900x500x34 | 700x500x34 | 500x400x34 |
|--------------------|--|--|--|
| Body Weight (kg) | 30kg or less (incl. Display Module) | 25kg or less (incl. Display Module) | 20kg or less (incl. Ramp, Display Module) |
| CAPA(ton) | 20, 15, 10 | 15, 10, 5 | 5, 2, 1 |
| Division(kg) | 20, 20, 10 | 20, 10, 5 | 5, 2, 1 |
| Protection Class | IP67 or higher | | |

SPECIFICATIONS(DISPLAY MODULE)

| | |
|------------------------|--|
| DISPLAY | 5digit LCD (excl. "-"), 15mm high digits, backlight |
| KEY | On/OFF, Zero, Sum (kg/lb), Light |
| Protection Class | IP67 or higher |
| Communication Type | BLE |
| Communication Distance | 100m or greater |
| A/D Conversion Speed | Static weighing: 10 times/sec, Dynamic weighing: 100 times/sec |
| Battery Power | 3.7V / 4Ah (Li-ion 9,000mAh) |
| Run Time / Charge Time | 170 hrs / 12 hrs |
| Charging Type | Battery removable type |
| Content of Display | Refer to Sheet for detail of display |
| Main Functions | Set weight dependent speed (low speed ~ high speed) Set auto calibration scope Set dynamic or static weight (WIM) / WIM spec: Accuracy +/- 3% in motion no less than 10 km/h When WIM is enabled, displays SLOW or FAST depending on vehicle incoming speed |
| Option | A structure without display |

DIMENSION

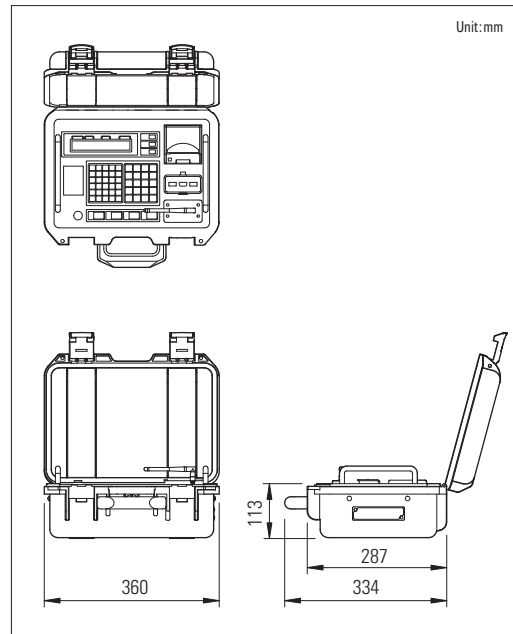


INDICATOR

SPECIFICATIONS

| | |
|------------------------------|--|
| DISPLAY | GRAPHIC LCD WITH BACKLIGHT |
| Battery power | Use conventional RW-5002PL battery |
| Use time b/w charges | Up to 40 hours |
| Charging | 8 hours |
| Printer | Thermal |
| Communication type | BLE |
| Interconnect platforms up to | 12 pcs |
| Weight (kg) | 4.5 |
| Option | Cigar jack power |
| DATA communication type | RS-232C / USB (for data backup) |
| Memory | Large memory capacity of 10,000 or more data sets based on 6 truck axes |
| PC PROGRAM | Store/manage data thru USB or RS-232C |
| App | Check/save weights via interface with indicator or PAD |
| Certification | EMC certified locally |

DIMENSION



INDUSTRIAL WEIGHING SOLUTION™

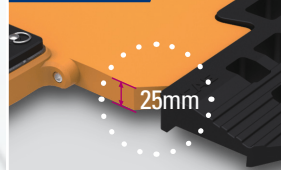
RW-PLZ

Road Weigher

RW-PLZ is easy portable set of vehicle weighing scale that is usually used to weigh the road vehicles. RW-PLZ consists of weighing platform scale and indicator, and both are designed to endure rough environment.



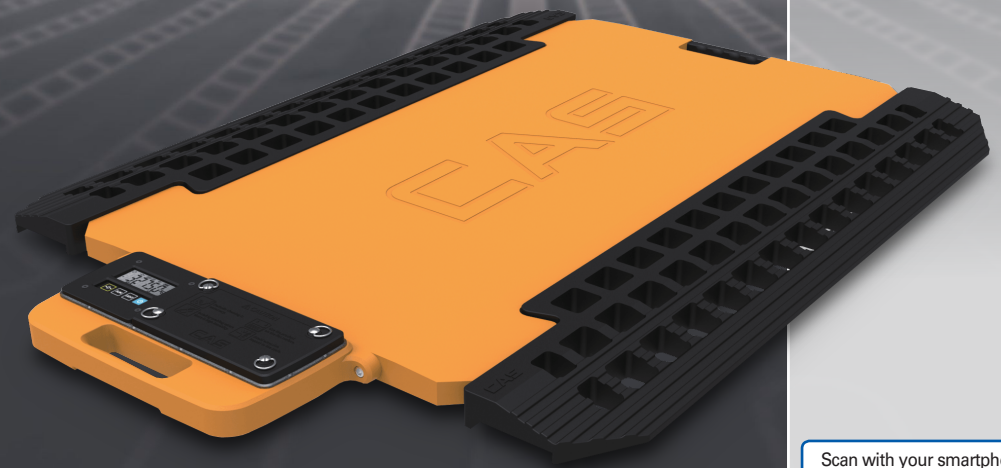
Low Profile (25mm)



Wireless Communication (Bluetooth)



Bluetooth SMART READY



Scan with your smartphone to find more products



Waterproof (IP67)

Low Profile (25mm)

Wireless Communication

Individual Display



CAS BLDG., 1315, YANGJAE-DAERO,
GANGDONG-GU, SEOUL, KOREA

TEL_ 82 2 2225 3500

FAX_ 82 2 475 4668

Specifications are subject to change without notice improvement



CAS

<http://www.globalcas.com>

CAS
www.globalcas.com

RW-PLZ Road Weigher



Individual Display on the platform
RW-PLZ has a individual display which shows the weight of each wheel

Magnesium material body

DUMMY PAD / RAMP
Manufactured with the use of urethane injection molding, the model features improved accuracy than conventional road weighers.

Low Profile(25mm)
RW-PLZ has light and slim structure as to be easily carried

Easy to change a battery
Easy to change a rechargeable battery by opening the battery cover through the quarter turn fastener

Quarter turn fastener

Rechargeable Battery
Lithium-ion battery (use: 170hr / charging: 12hr)
Dedicated battery pack (Micro 5 pin Adaptor used)

Integrated carrying handle

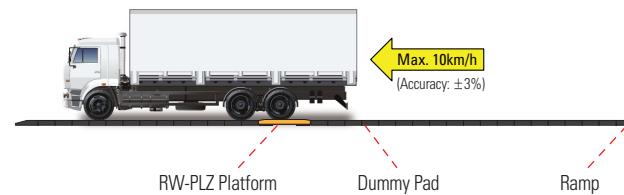
Waterproof Structure (IP67, CAPS Waterproofing upgraded)

LOADCELL : CPAS LOADCELL
INDICATOR(Built-in type) : MAIN PCB ASS'Y, BATTERY



Weighing-in-Motion (WIM)

- RW-PLZ has both static and dynamic weighing(Weighing in Motion) function.
- Via WIM function, users can conveniently measure a vehicle's weight.
- In case of WIM, dummy pads are required and accuracy is +/-3% when vehicle speed is under 10km/h



RW-5002PL

Wireless Communication System

Users can measure a weight via wireless communication (Bluetooth) much easier and more comfortable than via a wire communication, and maintenance cost of wire will be reduced.
Also, RW-5002PL indicator can be connected up to 12 RW-PLZ platforms simultaneously.

Bluetooth 4.0 enabled interface with smart device

RW-5002PL RW-PLZ Smart Phone / PC

Built-in Thermal Printer

Built-in thermal printer enables to print out various contents such as company, inspector, driver and weight data easily.

