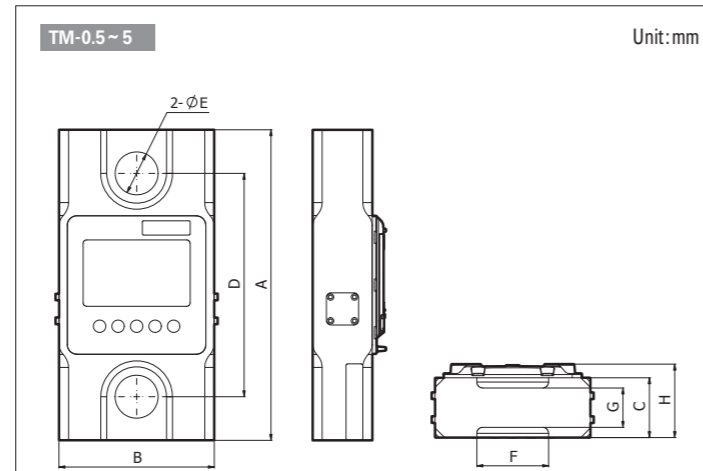


# TM SERIES | Tension Meter

## SPECIFICATIONS

Model	TM Series			
Max. Capacity(kg)	500	1,000	3,000	5,000
Division(kg)	0.5	1	2	5
Accuracy	≤ 0.1% of full capacity			
Unit	kg, lb, N, kN(x1000N), daN, ton (Short ton or Long ton), x1,000kg (Metric ton)			
Safety Factor	3:1			
Power	4 AA size 1.5V alkaline batteries / 0.3~0.5W			
Battery operating time	Wire type: Approx. 500 hours/ Wireless type: Approx. 44hours			
Display	5 digit LCD display/ Character height: 1.2inches(30mm)			
Operating Temperature	-20~60°C			
Protection Class	IP65			
Material	Aluminum			
Communication	Standard	RS-232C/RS-485/Setpoint (3 points)		
	Option	Bluetooth or Zigbee wireless communication		
Wireless Communication Distance	Bluetooth: Max. 100m/ Zigbee: Max. 200m (only for open site)			
Options	Shackle, TWN, 20m Cable, Carrying case			
Product Weight(kg)	2.3	2.3	2.5	3.3

## DIMENSIONS



Model	TM Series			
Max Capacity (kg)	500	1,000	3,000	5,000
A (mm)	220	220	220	260
B (mm)	120	120	128	130
C (mm)	42	42	42	50
D (mm)	165	165	165	187
E (mm)	21	21	21	28
F (mm)	44	44	44	60
G (mm)	24	24	24	33
H (mm)	53	53	53	61
Product Weight (kg)	2.3	2.3	2.5	3.3
Crosby Shackle (Option)	G-2130 5/8"		G-2130 7/8"	
Shackle Weight (Pair, kg)	1.24		3.58	



Large LCD display

IP65 Waterproof enclosure

Conversion of various units

# TM SERIES

## Tension Meter

TM provides cost-effective and advanced solutions for monitoring and controlling overhead loads in various industrial applications such as shipyards, construction sites and shipbuilding yard etc. It is designed in IP65 waterproof aluminum enclosure for protection against moisture, dust and rough usage.



CAS BLDG., 1315, Yangjae-daero,  
GANGDONG-GU, SEOUL, KOREA  
TEL\_ 82 2 2225 3500  
FAX\_ 82 2 475 4668  
<http://www.globalcas.com>

Specifications are subject to change for improvement without prior notice.



## Tension Meter

### Features

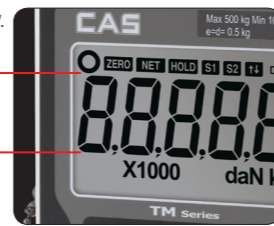
#### IP65 waterproof aluminum enclosure

Built to withstand rugged, moisture and dusty environment

#### Large LCD display

Weights are easily viewed with large LCD display.  
(letter height: 1.2 inches, 30 mm)

1.2inches  
(30mm)



#### Various communication interface

TM basically offers RS-232C, RS-485 and 3 Set-point ports and two optional wireless communications, bluetooth or zigbee to be connected with external equipments.

- Wireless communication distance
  - Bluetooth : Max. 100m
  - Zigbee : Max. 200m



<Wire type>



<Wireless type>

#### Conversion of various units

kg, lb, N, x1000N (kN), daN, ton (Short ton or Long ton) and x1000kg (Metric ton)



#### Long battery operating time

Operates on 4 AA size 1.5V alkaline batteries for 500 hours in a wire communication and 44 hours in a wireless communication during continuous use

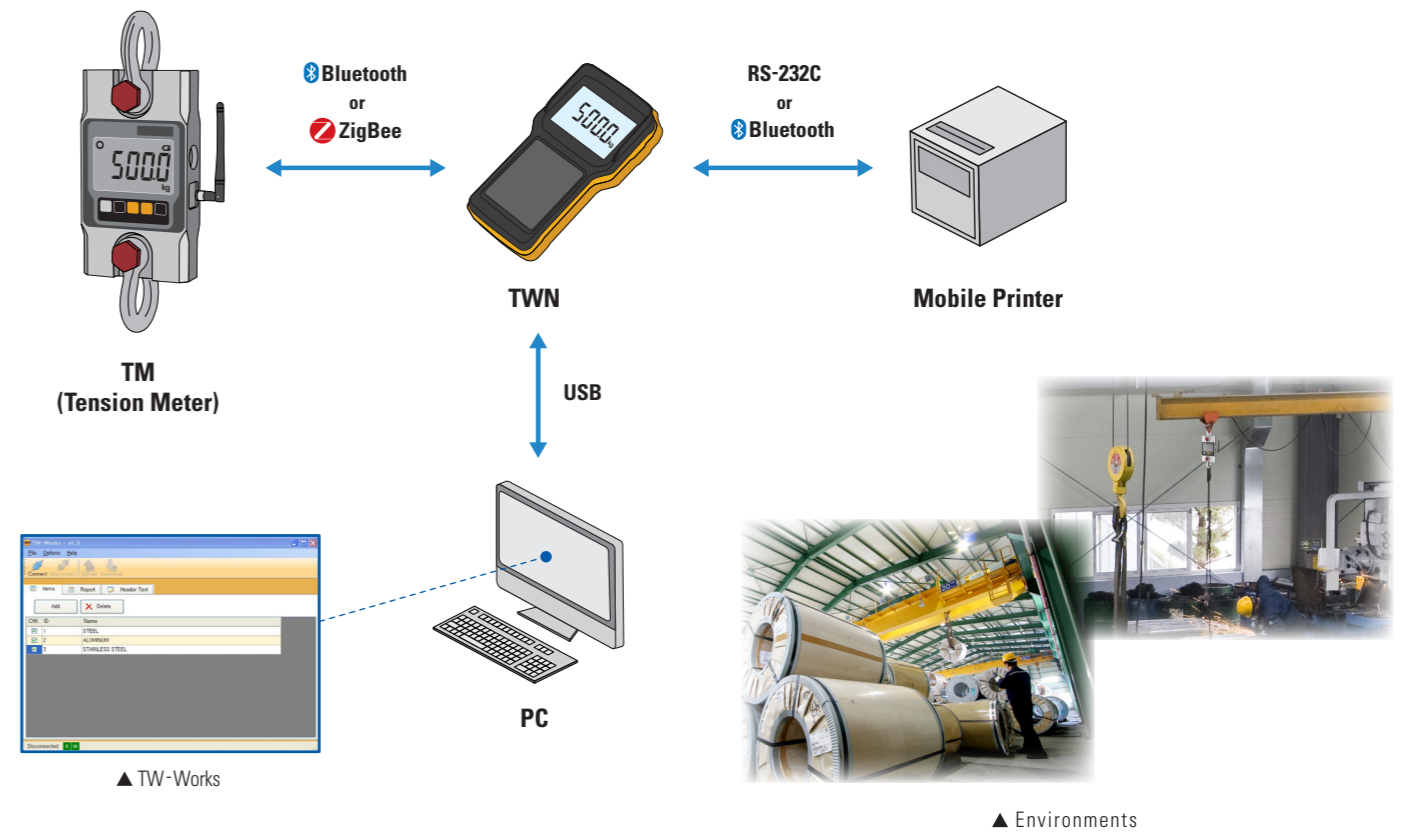


#### Linkable with TWN.(Option)

TM can be operated with the Optional TWN hand held wireless indicator via Bluetooth or Zigbee. TWN offers greater control over functions while viewing the weight.



### TM CONNECTION



- Control and view the TM's weight reading wirelessly using the TWN. (TM ↔ TWN)
- Connect to a wireless bluetooth printer for printing data. (TWN ↔ Mobile printer)
- Connect the TWN to a PC which TW-Works is installed via USB to upload/download weighing data, Item No., Item Name and Header Text (for printing) (TWN ↔ PC)

#### FEATURES

- Wide range of Capacities 500kg~5,000kg
- Conversion of various units
  - kg, lb, N, kN(x1000N), daN, ton(Short ton or Long ton), x1,000kg(Metric ton)
- IP65 Waterproof aluminum enclosure
- Large LCD display (letter height: 1.2inches, 30mm) to easily view weights
- 5 function keys for easy and simple operation
- Peak hold, set points for relay control and keypad setup
- Long battery operating time
- Two optional wireless communication
  - Bluetooth or Zigbee
- Various communication interfaces
  - Standard: RS-232C, RS-485, Setpoint(3EA)
  - Option: Wireless communication Bluetooth or Zigbee

#### OPTIONS

- TWN (Selectable between Bluetooth or Zigbee communication)
- Wireless communication (Selectable between Bluetooth or Zigbee)
- Top and Bottom Shackle
- Portable carrying case (only for under 5 ton)
- 20m Cable